

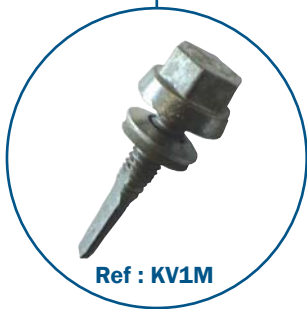
The **ALTfix1-St** anchoring support can be used as an anchor point or lifeline support on girders supporting steel panels.

Special features :

- ▶ Adaptable to any type of steel panel from a thickness of 0,63mm upwards
- ▶ Installation does not require any cutting work on the roof beforehand
- ▶ Screwed through the panel into the metal frame
- ▶ Built-in energy absorber
- ▶ There can be stress to all axes
- ▶ Made of stainless steel
- ▶ EN 795 compliant



The Altifix1-St support should be installed astride one of the ribs of the steel panel. It is held in place by means of 8 self-drilling screws which are placed on the axis of the panel support purlin.



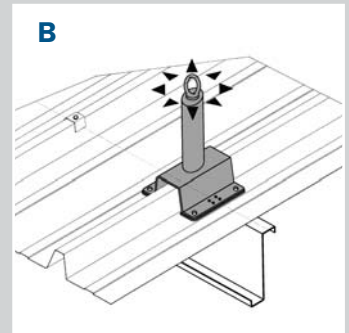
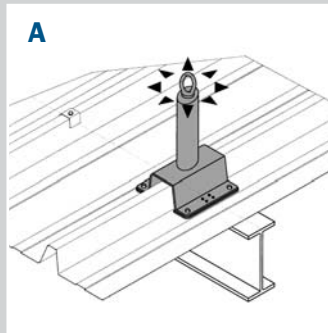
A: Fastening onto girder, comprising :

- 8 x self-drilling screws d=6x45, hexagon head 6 sides 12mm
 - Sealing by Vulca seal d=14mm
- In accordance with DTU 40.35, the minimum girder width must be 40mm

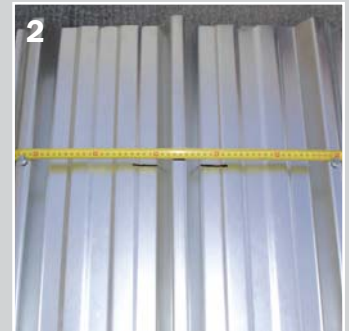
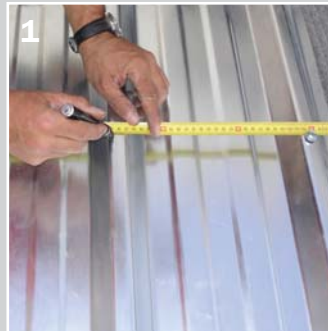


B: Fastening onto folded steel section, comprising :

- 8 x self-drilling screws d=6.3x38, hexagon head 6 sides 12mm
 - Sealing by Vulca seal d=14mm
- In accordance with DTU 40.35, the minimum purlin width must be 50mm. They must be made of steel plate with a minimum thickness of 1,5mm



A QUICK, EASY AND SEALED INSTALLATION IN LESS THAN 10 mn !



WATERPROOFING :

Sealed by compressing 2 EPDM joints thickness 6mm between the plate and the steel panel.

The **ALTifix** anchoring support can be used either as an anchor point or as a lifeline support.

Operation

The support is made of a tube with a diameter of 60mm mounted onto a plate by means of a hinged connector.

The tube includes a mechanism allowing activation at a specific threshold (280kg) combined with an energy absorption device.

If there is a high level of stress, and regardless of the direction, the tube lays itself down thus considerably reducing the stress applied to the fastenings and therefore to the roof itself. The tensile stress is transformed into shearing stress.

Installation

Installed directly onto the roofing. No underside work required.

A sealing kit suitable for each roof is fitted during installation to ensure perfect sealing without the operation needing to be repeated subsequently.

Tests

The support is EN 795 Class A1 certified.

Static tests carried out :

=> 2,5kN, no activation

=> 3kN, the energy absorption device is gradually activated thus limiting the stress on the fastenings.

=> 1,2 to 2,3kN (depending on the supports), the hold is safely held for 3 minutes.

Dynamic tests carried out :

100 kg spaced out at a height of 2,50m

=> The device is activated and the load is safely held without either the fastenings or the support breaking.

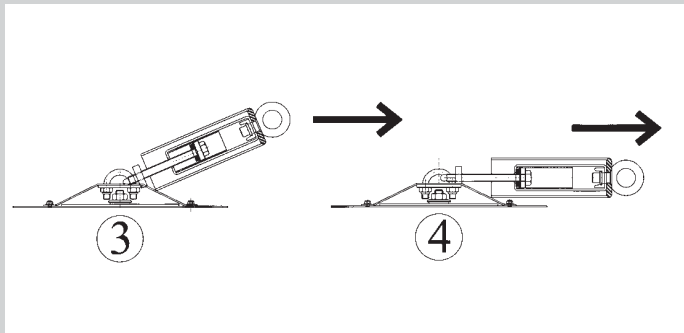
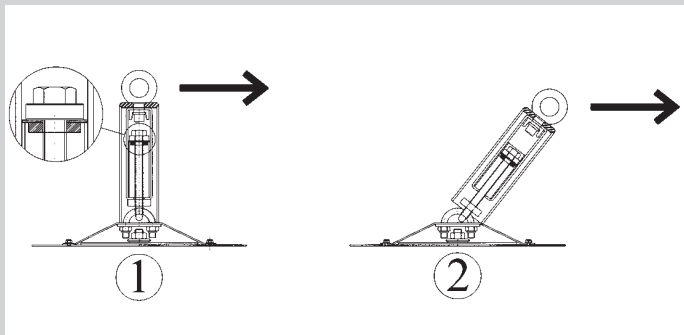
Use as a lifeline support (EN 795 Class C)

As an intermediate support :

the support can be used with no restrictions

As an end support :

Combined with the ABS600 absorber, the support can be used with no restriction.



Ref : ABS600