

The **ALTfix2-St** anchoring support can be used as an anchor point or lifeline support on steel panel roofing.

Special features :

- ▶ Adaptable to any type of steel panel from a thickness of 0,63mm upwards
- ▶ Can be installed on sandwich roofs
- ▶ Installation does not require any cutting on the roof beforehand
- ▶ Fixed directly onto the roof panel
- ▶ Built-in energy absorber
- ▶ There can be stress to all axes
- ▶ Made of stainless steel
- ▶ EN 795 compliant



The Altifix2-St is positioned on the crest of the steel panel. The plate is pre-drilled at various centre distances : 250, 280 and 333 mm

Steel panel fastening comprising :

- 12 H M6 25x25 screws, hexagon head 6 sides 10mm
- Sealing by Vulca seal d=14mm
- 12 M6 bi-chromated cylindrical headed inserts

The roof must be fitted in accordance with DTU 40.35

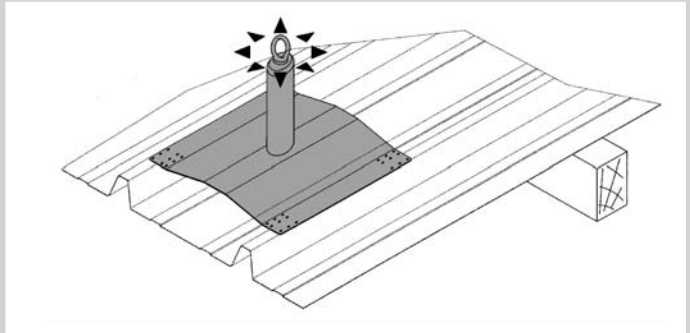
Insert clip :

Box containing all of the specific tools required to install the AFX2-St support.

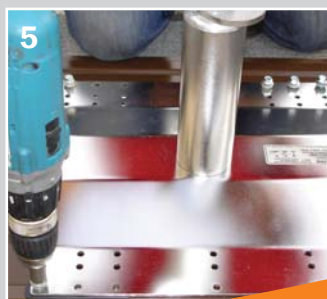
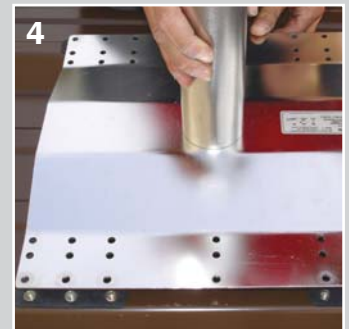
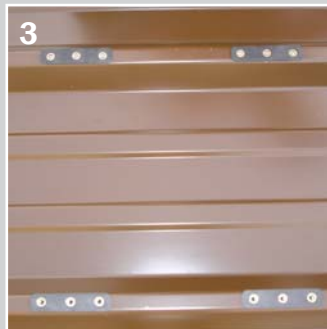
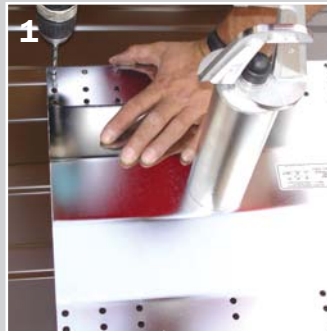


SEALING :

Sealed by compressing 4 x EPDM joints, thickness = 2mm, between the plate and the steel panel.



A QUICK, EASY AND SEALED INSTALLATION IN LESS THAN 10 mn !



The **ALTifix** anchoring support can be used either as an anchor point or as a lifeline support.

Operation

The support is made of a tube with a diameter of 60mm mounted onto a plate by means of a hinged connector.

The tube includes a mechanism allowing activation at a specific threshold (280kg) combined with an energy absorption device.

If there is a high level of stress, and regardless of the direction, the tube lays itself down thus considerably reducing the stress applied to the fastenings and therefore to the roof itself. The tensile stress is transformed into shearing stress.

Installation

Installed directly onto the roofing. No underside work required.

A sealing kit suitable for each roof is fitted during installation to ensure perfect sealing without the operation needing to be repeated subsequently.

Tests

The support is EN 795 Class A1 certified.

Static tests carried out :

=> 2,5kN, no activation

=> 3kN, the energy absorption device is gradually activated thus limiting the stress on the fastenings.

=> 1,2 to 2,3kN (depending on the supports), the hold is safely held for 3 minutes.

Dynamic tests carried out :

100 kg spaced out at a height of 2,50m

=> The device is activated and the load is safely held without either the fastenings or the support breaking.

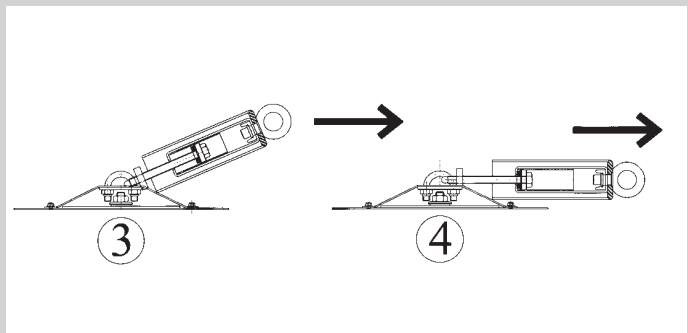
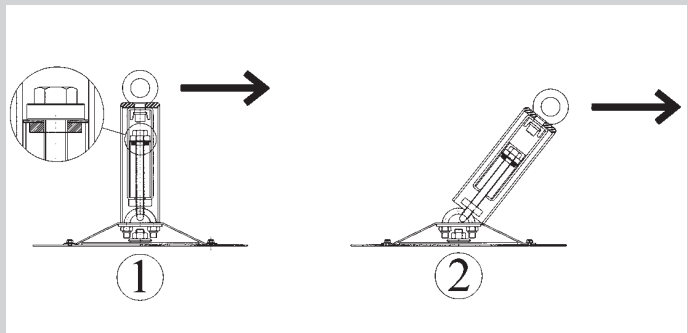
Use as a lifeline support (EN 795 Class C)

As an intermediate support :

the support can be used with no restrictions

As an end support :

Combined with the ABS600 absorber, the support can be used with no restriction.



Ref : ABS600